

Key features

- Based on LED-technology
- 2 000 cd steady burning red light
- 2 000 cd flashing red with CSW flash controller unit or power supply PS-48-1A8-PCFL
- Extremely reliable - long lifetime
- Very low power consumption
- 48 VDC nominal operating voltage
- Stabilised light output
- Lightweight and small – low wind load factor
- Easy to install
- No RF-radiations
- Long maintenance intervals
- Comes with five (5) years warranty
- Patented

Specifications met

- ICAO International Standards and Recommended Practices: Aerodromes - Annex 14 Volume 1, 5th Edition, July 2009, Chapter 6: Medium-intensity, Type C Fixed Obstacle Light
- FAA Advisory Circular 150/5345-43F 09/12/06: L-864 and L-885 light unit
- Certified by STAC France and FVT Germany

Optical characteristics

- Intensity better than 2 000 cd
- Colour aviation red
- Horizontal radiation pattern 360°
- Vertical radiation pattern 3°
- LED supply current stabilised by constant current generator
- More than 10 year continuous maintenance free operating time

Electrical characteristics

- Nominal operating voltage 48 VDC
- Power consumption 28 W @ steady burning
- Power consumption 2.3 W @ 20 fpm, flash duration 250 ms
- Constant current 0.6 A
- Operating voltage range 47...58 VDC
- Operating temperature range -40...+55°C
- Three-stage overvoltage protection

Mechanical characteristics

- Anodised aluminium body
- Glass cover
- Terminal box for 1.5...6 mm² wires
- Ingress protection IP65
- Height 284 mm, diameter 154 mm,
- Mounting set -V or -H and terminal box include
- Light unit weight 3 kg without mounting set
- Wind load 400 N with mounting set @ 200 km/h



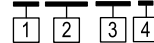
Obelux MI-2KR-048-x without mounting set

Options

- CSW-48-x-F: Flash controller
- CSW-48-x-F-GPS: Flash controller with global flash sequency synchronisation by GPS-UTC time
- CSW-48-x-F-GSM controller GSM, SMS message
- Power supply PS-48-1A8, 230 VAC / 48 VDC 1.8 A
- Power supply PS-48-1A8-PCFL with flash controller and photocell
- Battery back-up system
- Solar operated power supply system (SPOL)
- Mounting kits

Order code:

Obelux MI-2KR-048-V



- Serie**
MI: Medium Intensity
- Luminous intensity and light colour**
2KR: 2 000 cd, Red
- Operating Voltage**
012: 12 VDC
024: 24 VDC
048: 48 VDC
115: 115 VAC
230: 230 VAC
- Mounting set**
V: Mounting to vertical pipe
H: Mounting to horizontal plate

Made in Finland

	OPERATING VOLTAGE 48 V DC
	CAUTION ! LED RADIATION DO NOT STARE INTO LED BEAM OR VIEW DIRECTLY WITH OPTICAL INSTRUMENTS. CLASS 2A LED PRODUCT

Obelux MI-2KR-048-x is an obstacle light utilizing LED technology. The cabling and installation principles are similar to those of conventional obstacle lights, the only exception being the correct polarity required by DC feed.

Terminal box include screw terminals and overvoltage protectors.

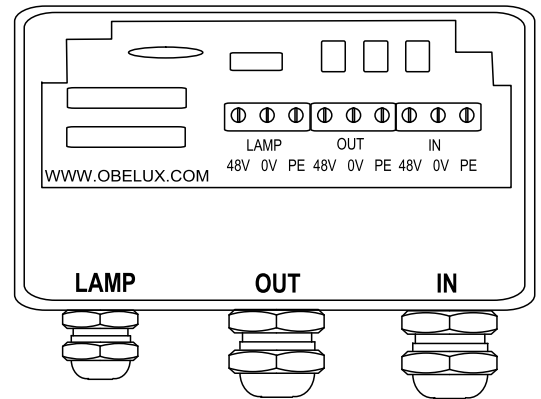
The polarity is:

Blue -
Black +
Yellow-Green PE

All connection alternatives can be protected with a 6 A or 10 A fuse or with a circuit breaker (C curve).

Installation specifications

- Cable gland: M25
- Cable diameter: 11...17 mm
- Wire diameter: max. 6 mm²
- Recommended cable: 2x1.5+1.5 or 2x2.5+2.5 mm²

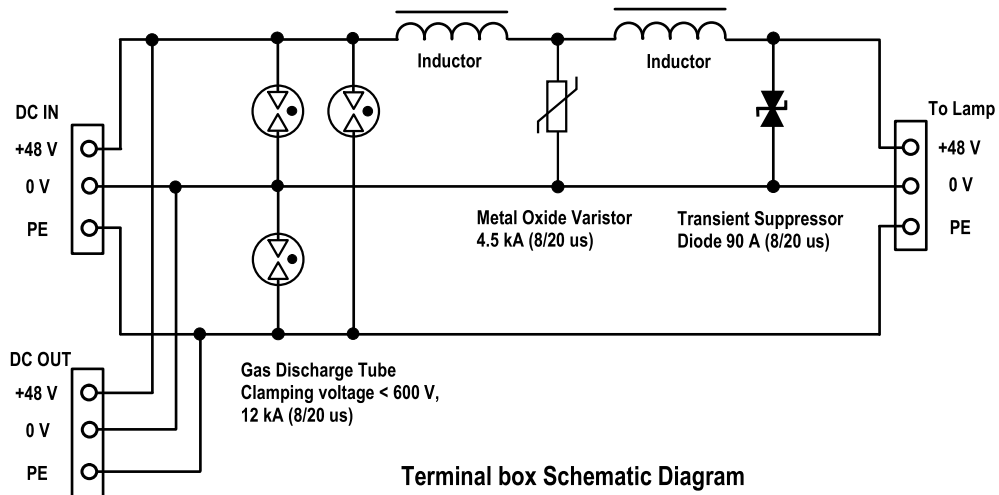


Cable Gland
M20 for 8-13 mm
cable

Cable Gland
M25 for 11-17 mm
cable

Cable Gland
M25 for 11-17 mm
cable

Terminal box



Terminal box Schematic Diagram

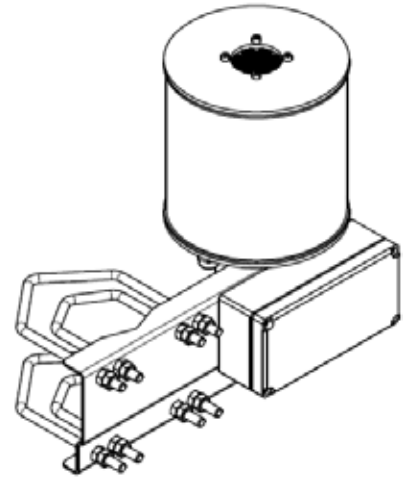
OPERATING VOLTAGE

48 V DC

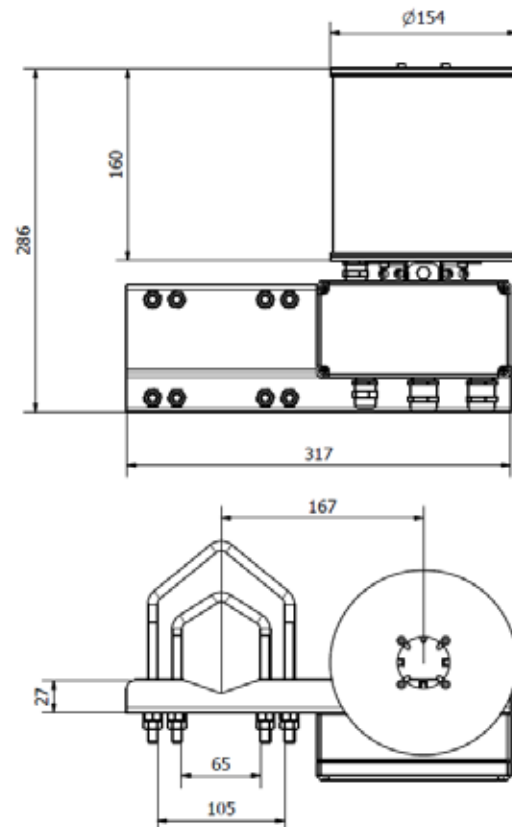
CAUTION ! LED RADIATION

DO NOT STARE INTO LED BEAM OR VIEW DIRECTLY WITH OPTICAL INSTRUMENTS.
CLASS 2A LED PRODUCT

Obelux MI-2KR-xxx-V
Light unit with -V mounting set. Mounting to Vertical pipe



Mounting plate, U-bolts, hex nuts: Acid Proof steel
Terminal box: Polycarbonate
Mounting set weight: 0.7 kg



Obelux MI-2KR-xxx-H

Light unit with -H mounting set. Mounting to Horizontal plate by L-shape brackets

Mounting plate: Aluminium
U-bolts, hex nuts: Acid Proof steel
Terminal box: Polycarbonate
Mounting set weight: 0.3 kg

